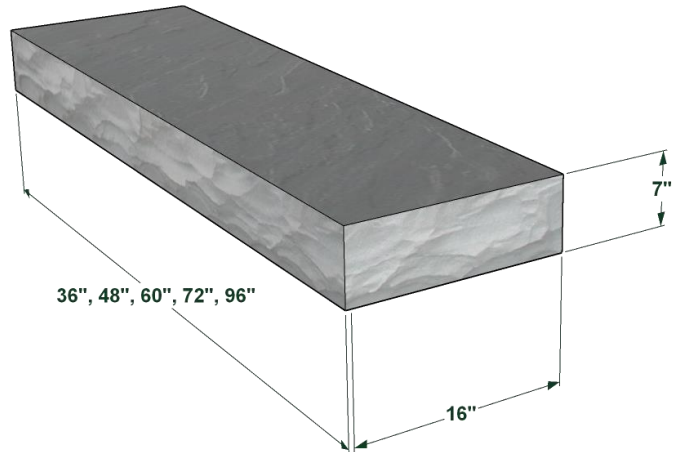




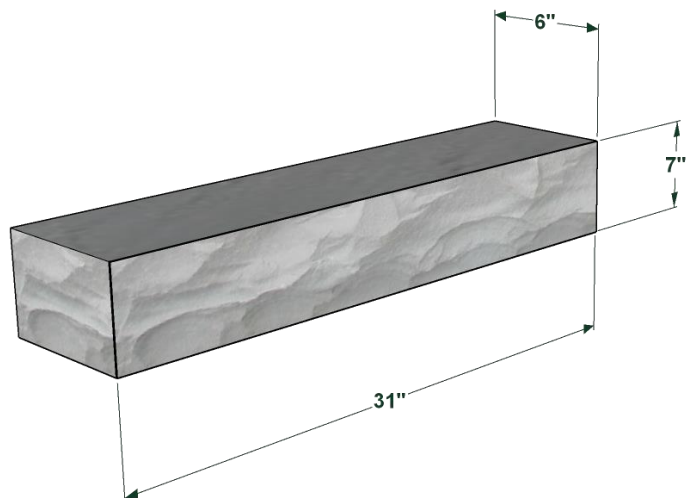
Steps and Fillers installation

MATERIAL REQUIREMENTS

STEPS



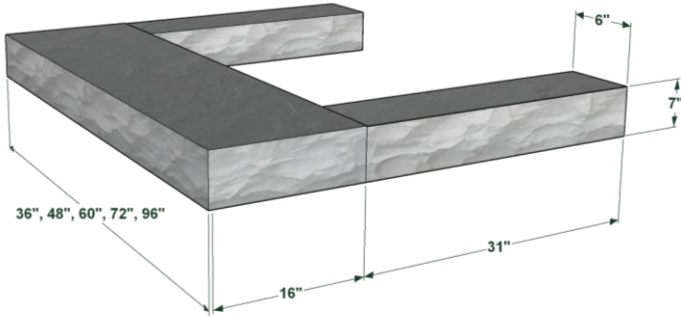
FILLERS





OAKVILLE STONE

Patios | Porches | Pools | Walkways

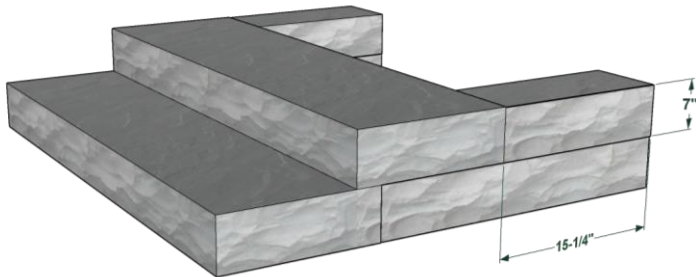
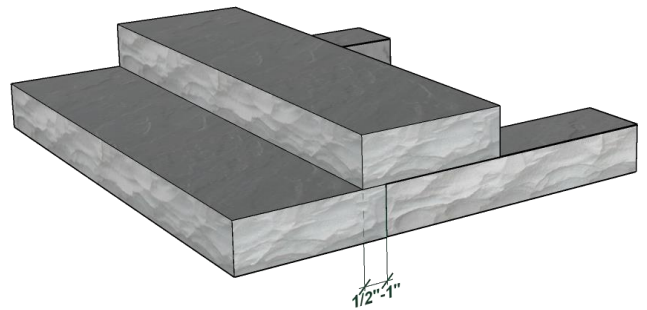


Place one step and two full fillers as shown

STEP 1

STEP 2

Place second step with an approximately $\frac{1}{2}$ " - 1" overlap

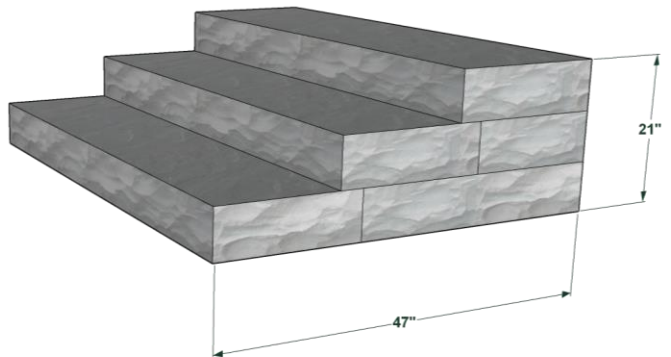


Cut one filler into two equal pieces and place it behind the second step.

STEP 3

STEP 4

Place the third step with a $\frac{1}{2}$ " - 1" overlap



www.oakvillestone.com | 905-270-1110

960 Kamato Road, Mississauga, Ontario, Canada, L4W 2R6

